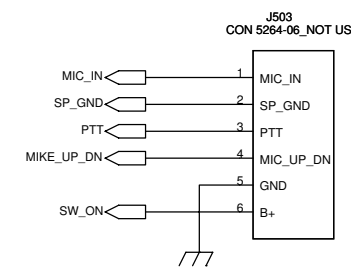
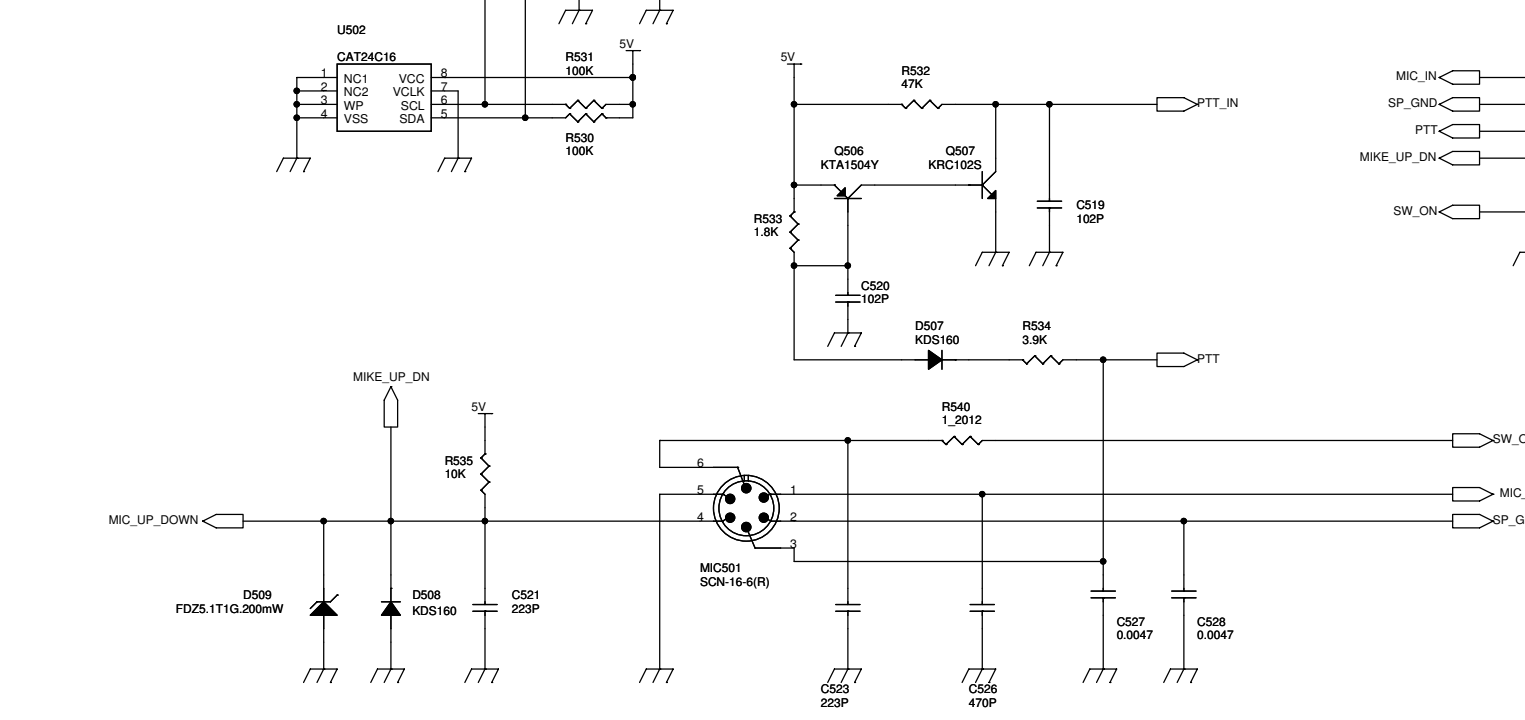
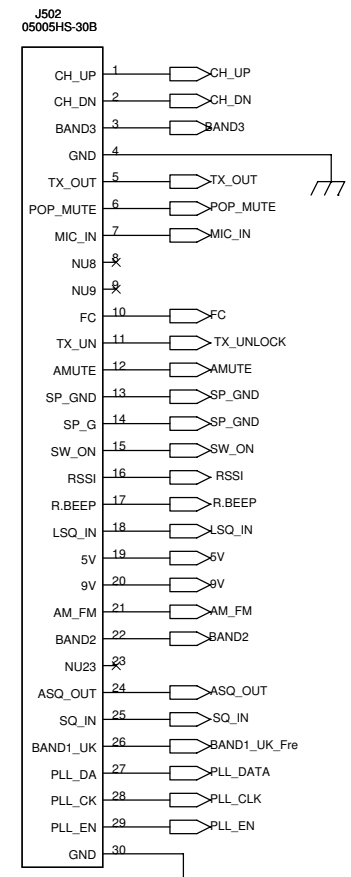
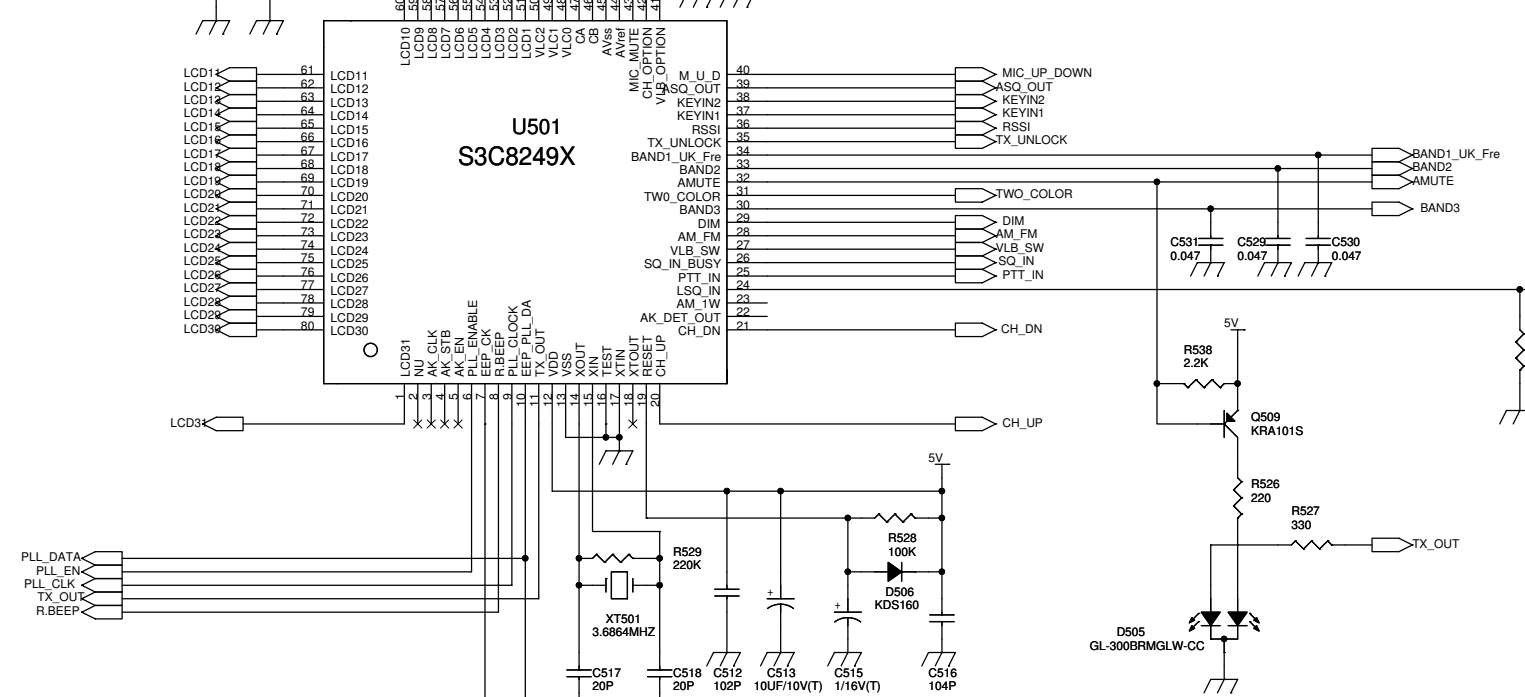
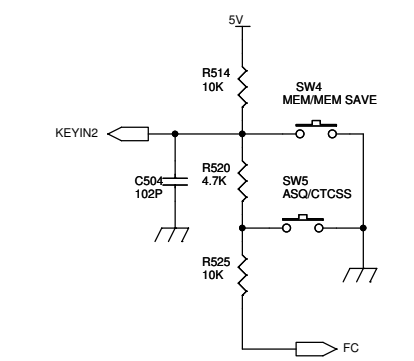
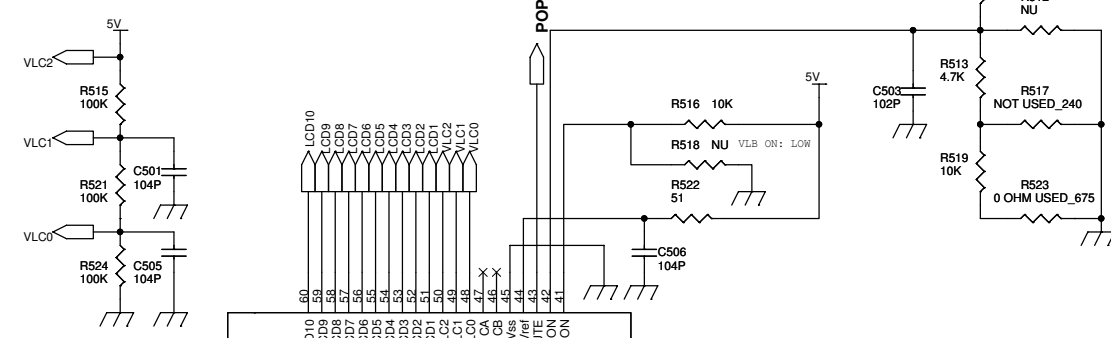
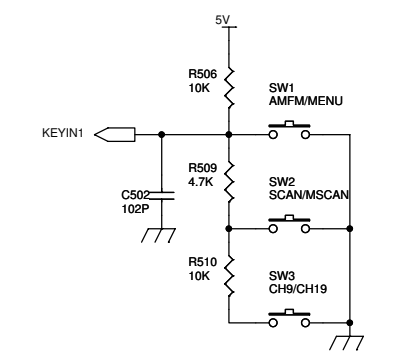
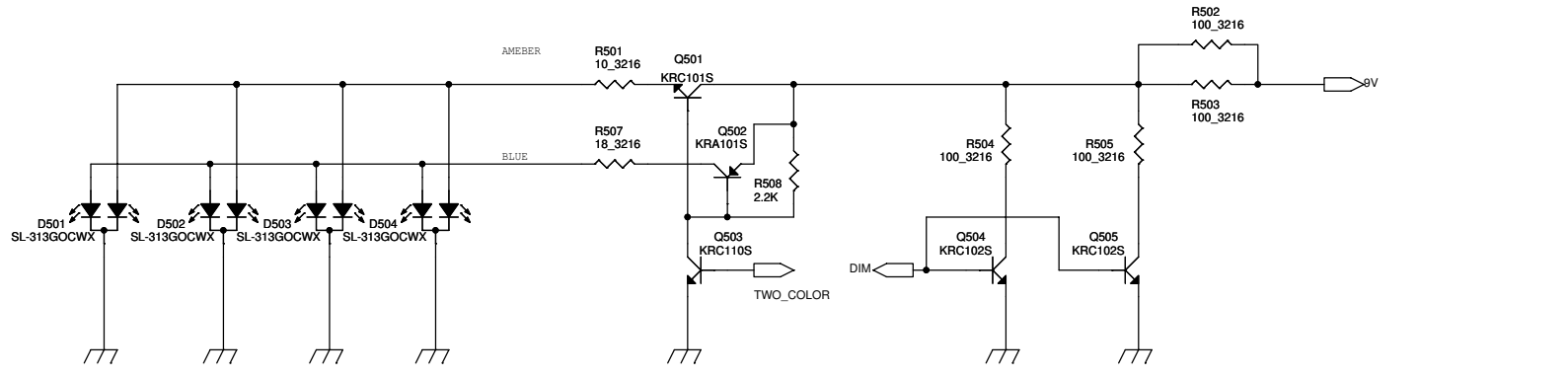
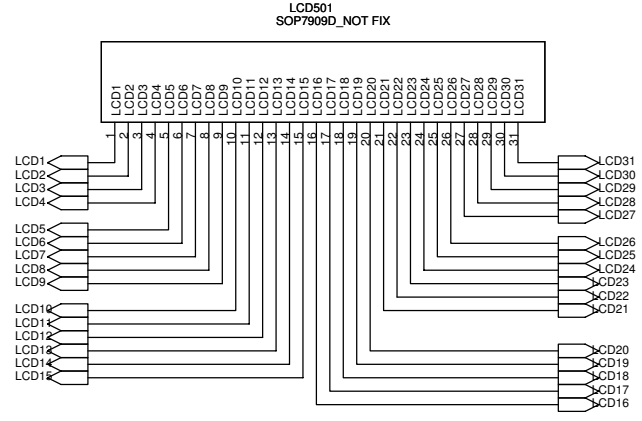


VCO ADJUST : RX C BAND 9CH 2.7V
 TX ADJUSTMENT
 C BAND 38CH
 T2,T4 output Maximum level adjust at TP1
 IFT 0039 Internal capacitor remove at 82PF : NEW 21421039

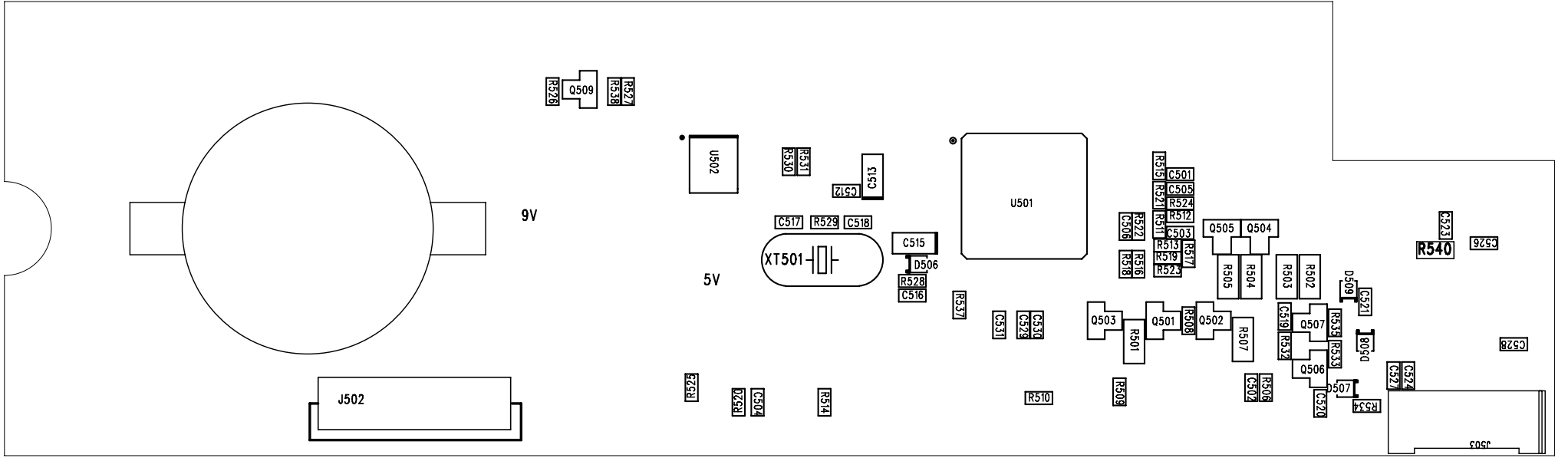
CON1 05005HS-30B

1	CH_UP
2	CH_DN
3	BAND3
4	GND
5	TX_OUT
6	POP_MUTE
7	MIC_IN
8	NUS
9	NUS
10	FC
11	TX_UNLOCK
12	AMUTE
13	Vol_ctrl
14	SP_GND
15	SP_GND
16	SW_ON
17	RSSI
18	R.BEEP
19	LSQ_IN
20	SV
21	SV
22	AM_FM
23	BAND2
24	ASQ_OUT
25	SO_IN
26	BAND1_LK
27	PLL_DA
28	PLL_CLK
29	PLL_EN
30	GND

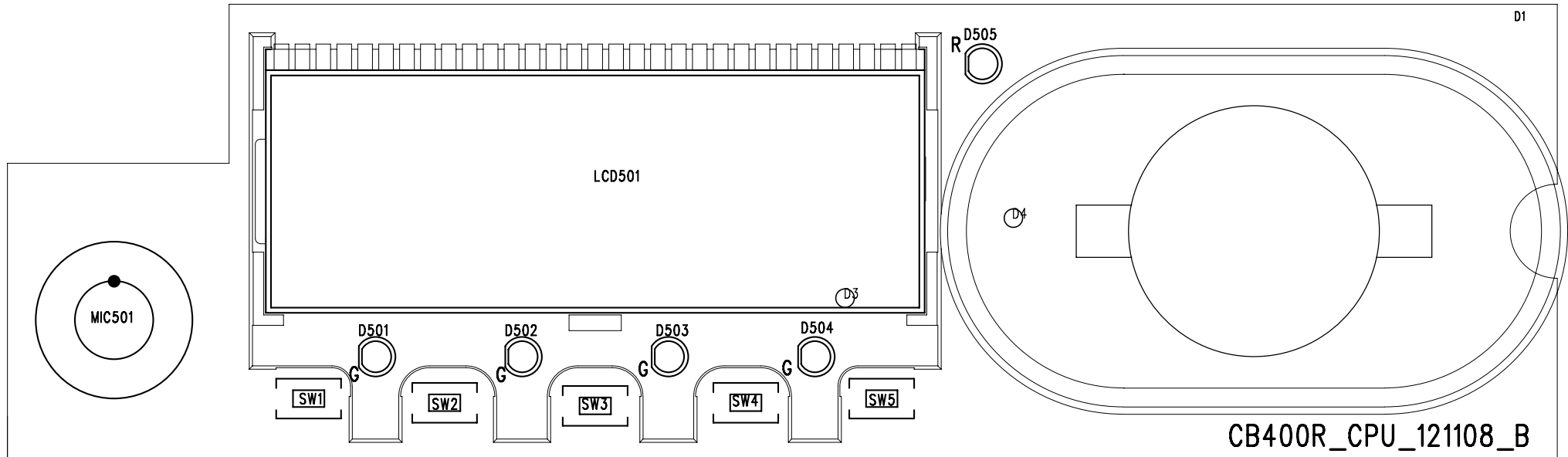
Rev	NEXTTRON
Size	Document Number
Part	EXCALIBUR TURBO_CBA00R_MAIN
Date	Wednesday, December 19, 2012 10:27:53 AM



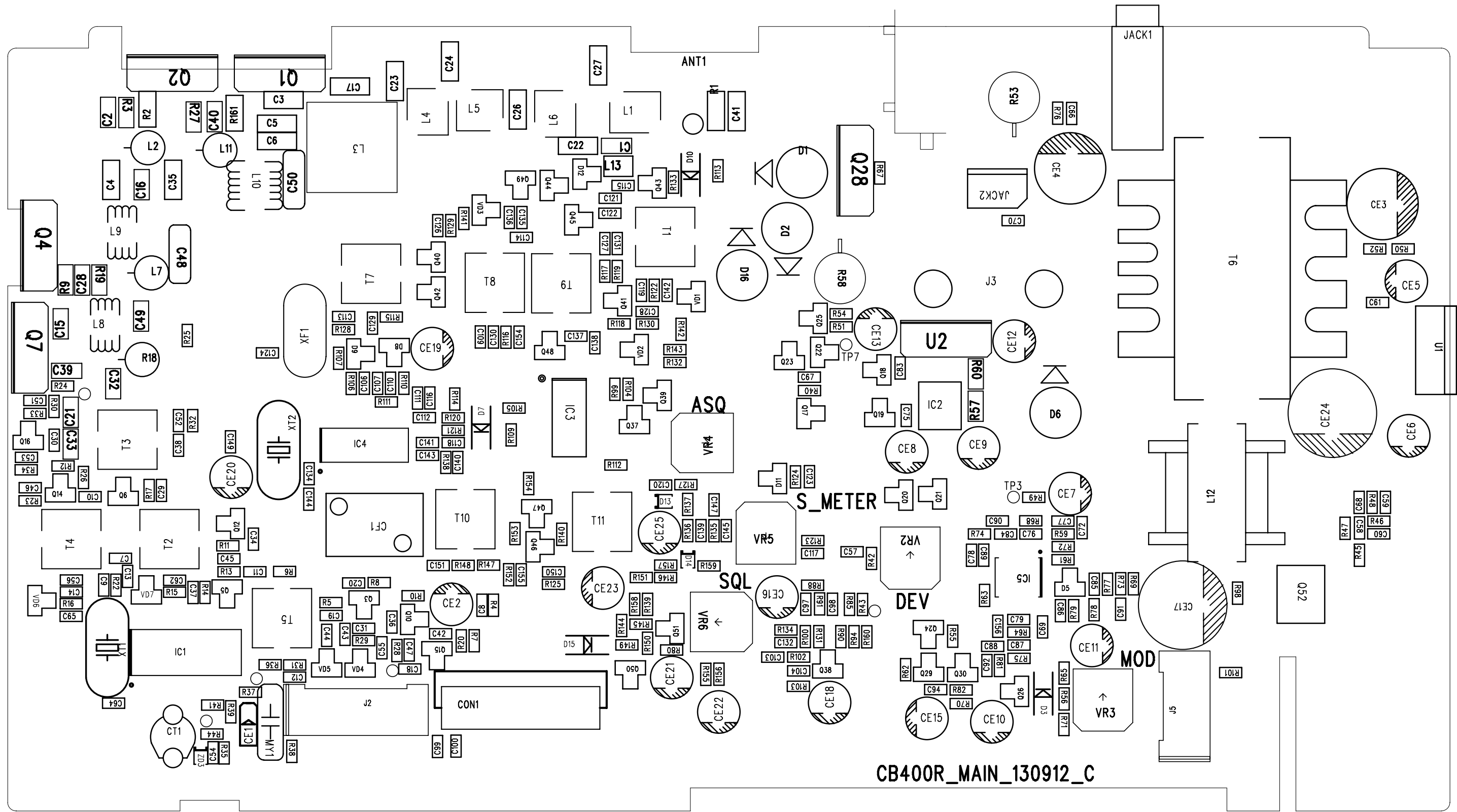
Title		
NEXTRON		
Size	Document Number	Rev
A2	EXCALIBUR TURBO_CB400R CPU	MP1
Date:	Tuesday, October 30, 2012	Sheet 1 of 1



MODEL NAME	BOARD NAME	LAYER	REV	DESIGN_DATE	FILE NAME
CB400R	CPU	D\2(2L)	B	2012.11.08	CB400R_CPU
SIZE	148.5X43.4, FR-4, 1.6t	INFO			Bottom Side Silk Screen



MODEL NAME	BOARD NAME	LAYER	REV	DESIGN_DATE	FILE NAME
CB400R	CPU	D/S(2L)	B	2012.11.08	CB400R_CPU
SIZE	148.2X43.4, FR-4, 1.6t		INFO	Top Side Silk Screen	



CB400R_MAIN_130912_C

MODEL NAME	BOARD NAME	LAYER	REV	DESIGN_DATE	FILE NAME
CB400R	MAIN	D/S(2L)	C	2013.09.12	CB400R_MAIN
SIZE	92.5X169.5, FR-4, 1.6t		INFO	Top Side Silk Screen-P	